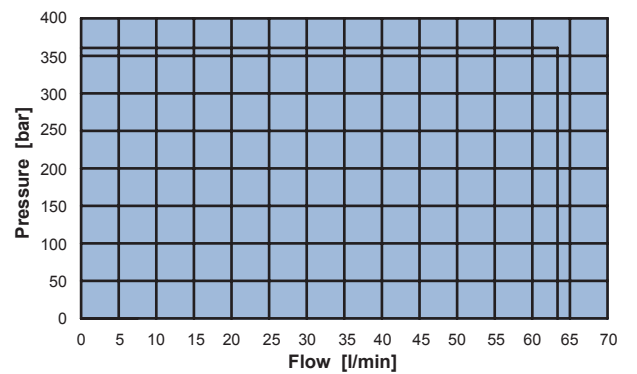
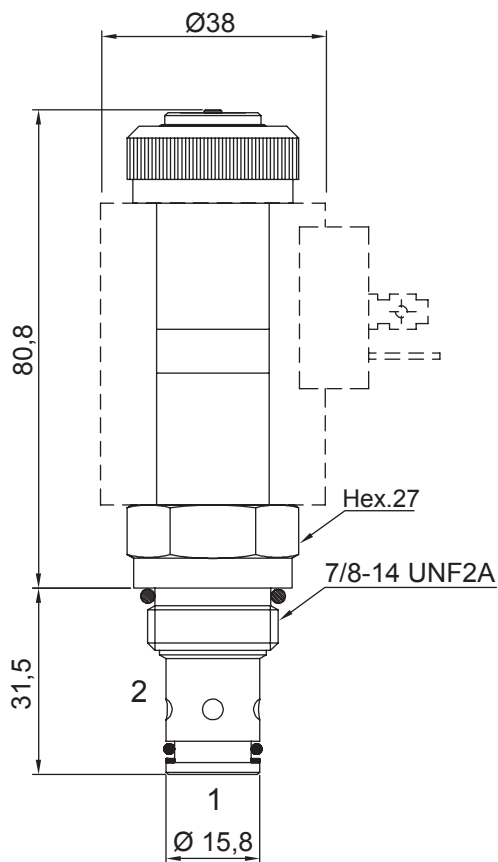
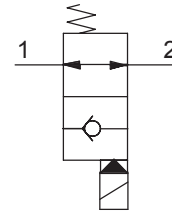
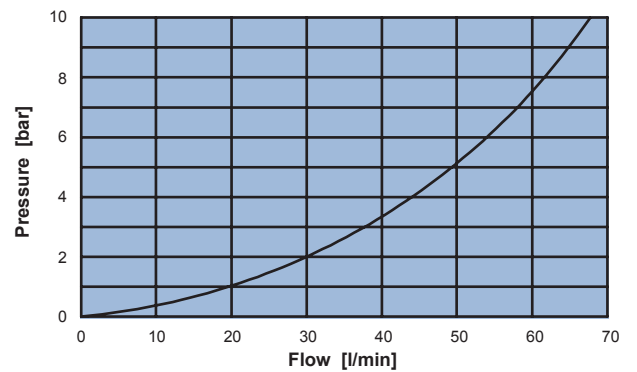


2 WAY 2 POSITION ELECTRIC POPPET VALVE, PILOT OPERATED NO

- Flow 60 l/min
- Max working pressure 350 bar
- Leakage 0,25 cc/min
- Seals NBR and PTFE
- Cartridge tightening torque..... 40 Nm
- Ring nut tightening torque 5 Nm
- Weight (with coil)..... 0,56 Kg
- Cavity **C230000** page 210
- Body..... **171302** page 191
- Coil (to be ordered separately) **09801** page 181



Application limits from 2 to 1 and 1 to 2



Pressure drop from 2 to 1 and from 1 to 2

Ordering code

0 5 6 3 0 0 0 0 0

