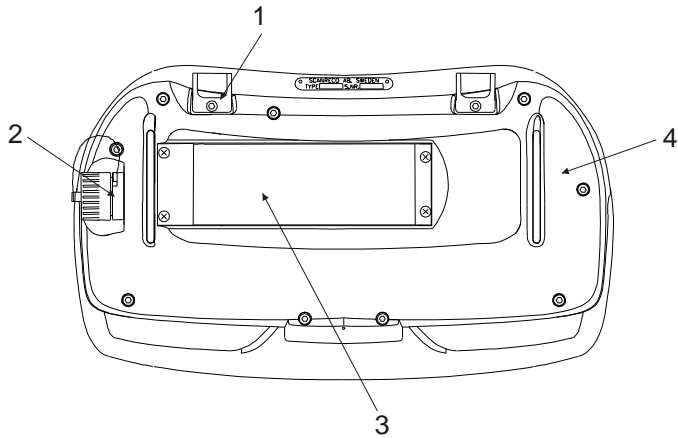


**DER HYDRAULIKER** 

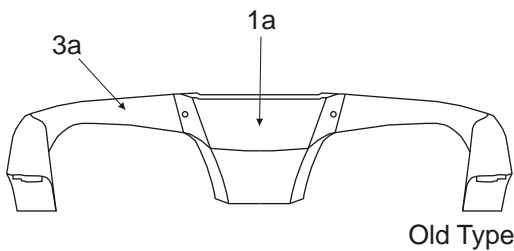
Technik für Ideen

**Ersatzteilliste für  
Scanreco  
Funkfernsteuerung**

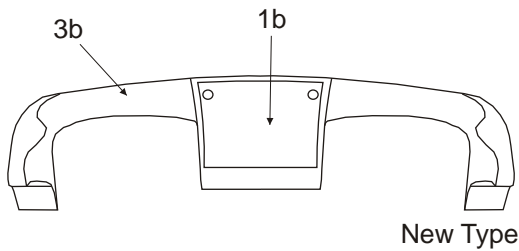
**Version G1**



- 1) Hook for belt cod. A3000380080
- 2) 4 pin male connector with closing cap cod. A1000380180
- 3) Battery 7.2V NiCd cod. A2000380100
- 4) Bottom black part cod. A3000380301



Old Type



New Type

- 1) Plastic cover :
  - 1a: old type cod. A3000380401
  - 1b: new type cod. A3000390401
- 2) Central blue part :
  - for TX with linear joysticks cod. A3000380102
  - for TX with cross joysticks cod. A3000380103
- 3) Upper black protection frame :
  - 3a: old type for TX with linear joysticks cod. A3000380101
  - 3a: old type for TX with cross joysticks cod. A3000380104
  - 3b: new type for TX with linear joysticks cod. A3000390101
  - 3b: new type for TX with cross joysticks cod. A3000390104

- 4) Switch with rubber protection :
  - detent switch 2 positions cod. A1000380230
  - detent switch 3 positions cod. A1000380130
  - spring return switch 3 positions cod. A1000380150
  - rubber protection only cod. A2000900100

- 5) Left switch plate :
  - plastic only cod. A2000380220
  - standard version with 4 microswitches cod. A2000380221

- 6) Emergency stop button with contact cod. A1000380170

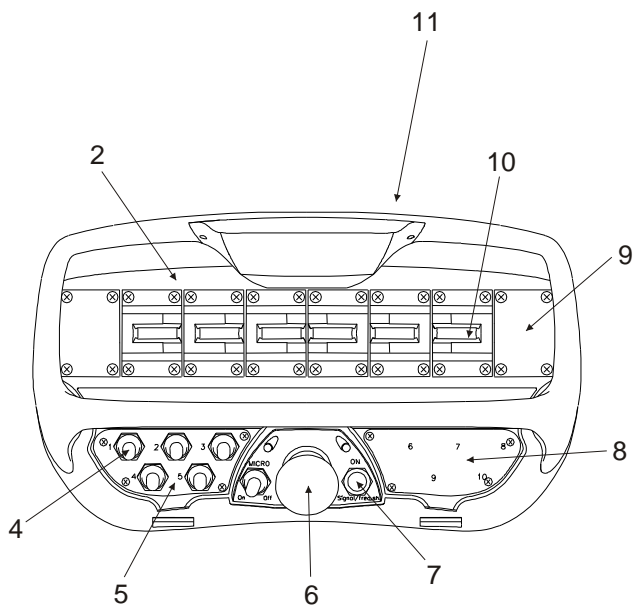
- 7) Push button with rubber protection cod. A1000380140
  - rubber protection only cod. A2000900101

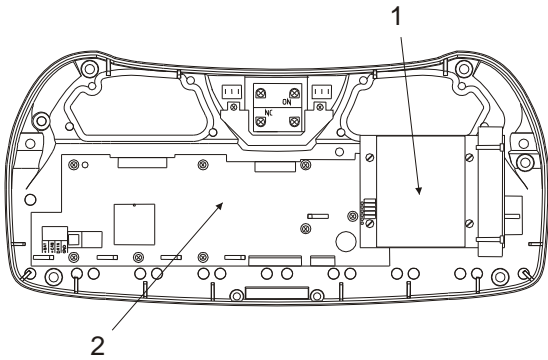
- 8) Right switch plate (plastic only) cod. A2000380210

- 9) Closing cap :
  - for linear joystick cod. A3000380100
  - for cross joystick cod. A3000380105

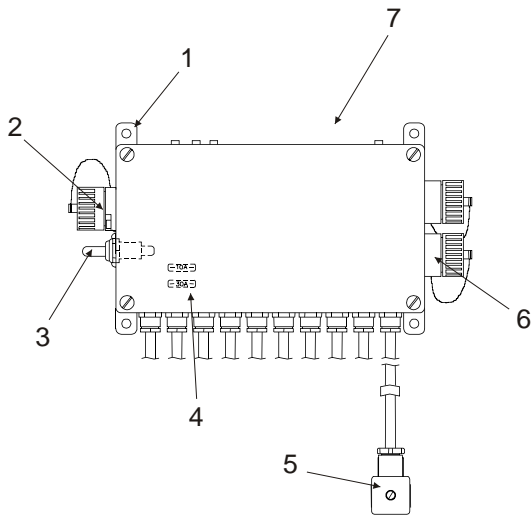
- 10) Joystick :
  - linear with spring return cod. A1000380100
  - linear frictioned cod. A1000380101
  - 2 axis cross cod. A1000380400
  - 3 axis cross cod. A1000380402

- 11) Complete control box : please contact our sales department (serial numbers of old parts are required)

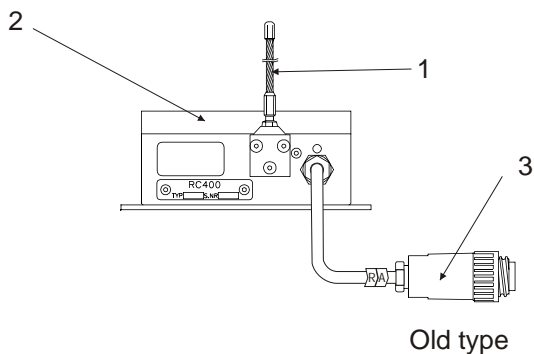




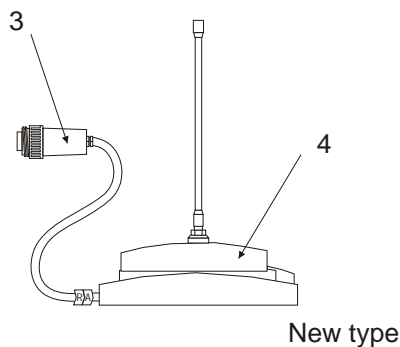
- 1) Radio transmitter electronic card (type 380) cod. A1170360000  
Radio transmitter electronic card (type 515) cod. A1170360002
- 2) Main electronic card : please contact our sales department (serial numbers of old parts are required)

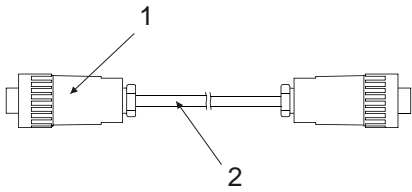


- 1) Mounting bracket cod. F3001510010
- 2) 4 pin male connector with closing cap cod. A1000380180
- 3) Switch with rubber protection :  
- detent switch 3 positions cod. A1100380130
- 4) Blade fuse :  
- 10A cod. A2003410040  
- 30A cod. A2003410050
- 5) DIN43650 connector with gasket and screw :  
- 2 pins + ground cod. A2001300020  
- 3 pins + ground cod. A2001300030
- 6) 7 pin female connector with closing cap cod. A2001700050
- 7) Complete electronic box : please contact our sales department (serial numbers of old parts are required)



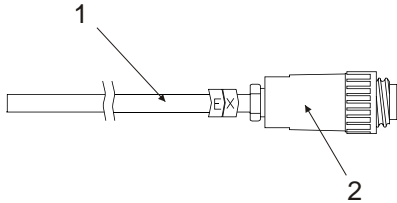
- 1) Antenna cod. A2000380130
- 2) Receiver with cable and antenna (type 344) cod. F1000381010
- 3) 7 pins male connector cod. A2001700060
- 4) Receiver with cable and antenna (type 1500) cod. F1000381030





1) 4 pins female connector cod. A2001700030

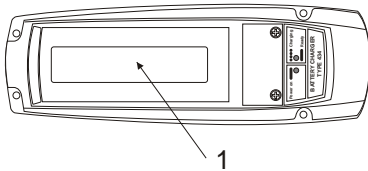
- 2) Serial cable with connectors :  
- 15 metres lenght cod. A2000380110  
- 30 metres lenght cod. A2000380112
- 



1) EX cable with connector (2,5 metres lenght) cod. A2000380120

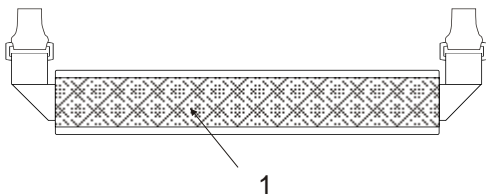
2) 7 pins male connector cod. A2001700060

---



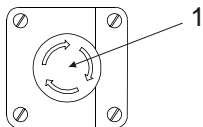
1) Quick battery charger :

- 110Vac 50Hz cod. F1700360005
  - 220 Vac 50Hz cod. F1700360003
  - 12/24 Vdc cod. F1700360002
- 



1) Belt :

- for neck use (small) cod. A3000380110
  - for waist use (large) cod. A3000380410
- 



1) Emergency stop button with container box cod. A1000380171