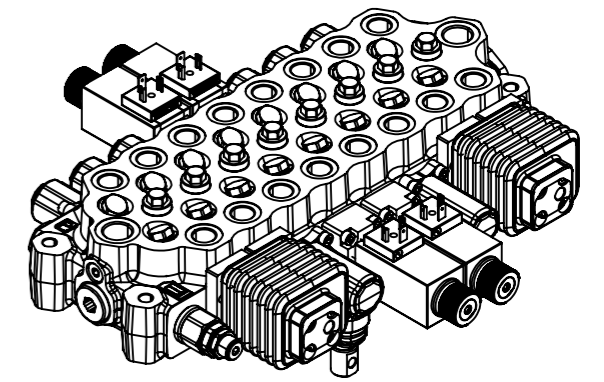
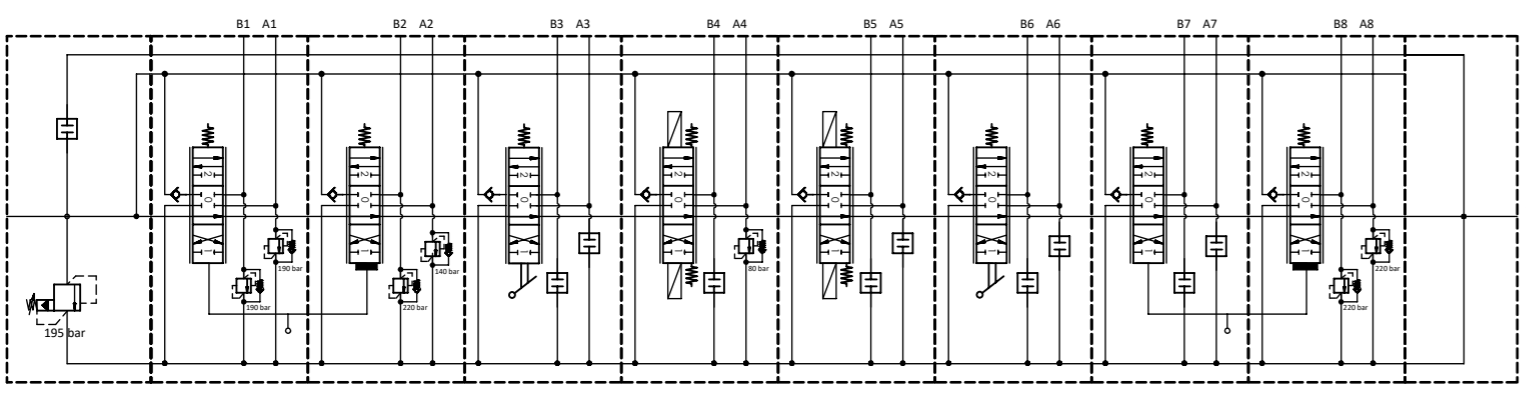


Standard working conditions	
Nominal inlet flow	50 l/min
Maximum input pressure	350 Bar
Max. back pressure (T line)	20 Bar
Operating temperature range	-20°C +80°C
Fluid viscosity range	10-380 cSt
Port dimensions	
Inlet port P	G 1/2
Tank port T	G 1/2
Service ports (A-B)	G 1/2
Electric push-push control	
Nominal power	40 W
Supply Voltage	12 VDC
Connector type	DIN 43650

**PAINING RAL 9005**



1:5



ASSEMBLY DESCRIPTION:

Scale: 1:3		Catalogue code:	
Approved by: MD	Group:	Prototype:	
Designer: MZ	Date: 23/05/2022	CODE:	Part Rev. 3