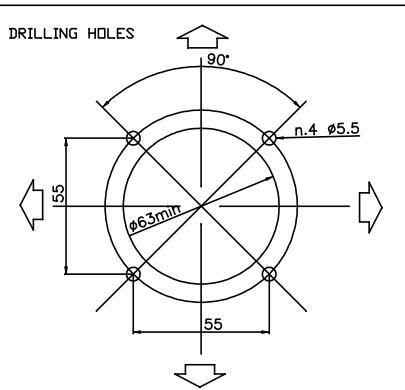


Note For Production:
SEALED GRIP- USE DPL-518
KIT. IMP. LAV. 13.8101.121
HARNESS: 13.0315.165



SPARE PARTS LIST								
FPR	Proportional Roller Yellow FPR-SNCH-0 80% 8-30V	1 20.0107.093						
RG	Rubber Gaither	1 13.6401.019						
Pos	Description	Q.ty Code						
NAME: JOYSTICK								
JHM-L4D/ANH-MS/01FPR-0000/R000-6		REPLACE by N°						
-SEALED GRIP-		UPDATED DATE:						
<table border="1"> <tr> <td>↖</td> <td>↗</td> <td>↘</td> <td>↙</td> <td>↕</td> <td>↔</td> </tr> </table>			↖	↗	↘	↙	↕	↔
↖	↗	↘	↙	↕	↔			
MATERIAL:		DRAWING						
CUSTOMER	PROJECT	CONTR.						
A1 HYDRAULICS	SF.2167.TCN	GC PM						
APPROV.		FC						
DIM. WITHOUT TOLERANCE: da 1 a 80: ±0,1		da 80 a 200: ±0,15						
da 200 a 300: ±0,2		da 300 a 600: ±0,3						
DRAWING N°		20.0111.254/00						

TECNORD
SERVOCOMANDI E REGOLAZIONE

SCALE / 13.06.17 Sheet / of 1/1